



NOTES:  
 Rated Current: 2.0AMP.  
 Contact Resistance: 20mΩ Max.  
 Withstand Voltage: 500V AC/DC  
 Insulation Resistance: 1000MΩ Min.  
 Operation Temperature: -40°C to +105°C

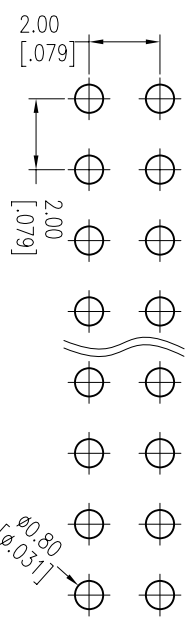
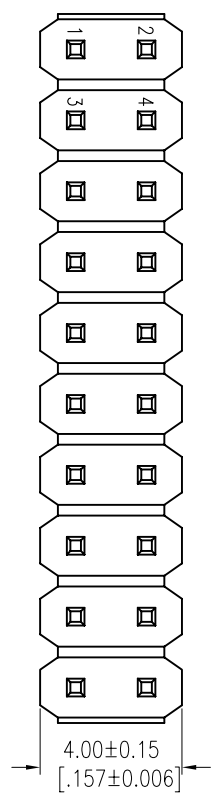
Contact Material: Brass  
 Contact Plating: Au or Sn Over Ni  
 Insulator Material: PA9T+30%G.F UL94V-0 BK

## Ordering Information

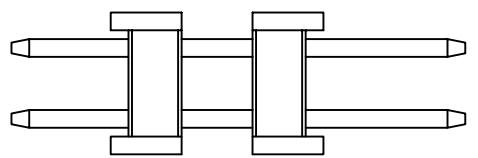
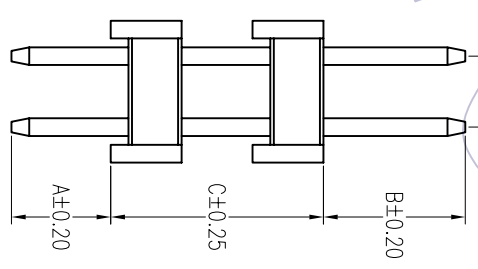
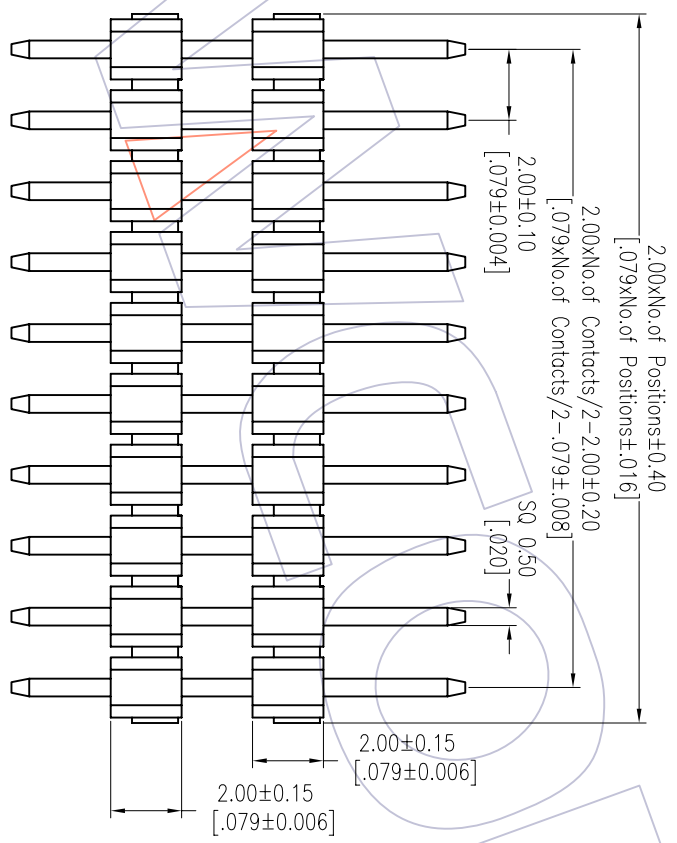
1220-22 XX XX S XXX X X

No. of Pins Contact Plating Pin Length Packing Series No.  
 Per Row: 02-40 G0=Gold Flash L=A+B+C O=P/E Bag 1=Type 1  
 G3=10u"Gold Standard T=Tube .....  
 G4=15u"Gold  
 G3=30u"Gold  
 S0=Gold Flash/Tin  
 S3=10u"Gold/Tin  
 S4=15u"Gold/Tin  
 S5=30u"Gold/Tin

Item	Pin Length	A	B	C	Mating
Standard	---	2.80	2.80	---	
Alternate	---	2.80	4.00	---	2240 2243 2263 2272



Recommended P.C.B Layout (Top Side)  
 (PCB BOARD TOLERANCE ±0.05)



REV	DATE	MODIFICATION DESCRIPTION
A0	2012/04/26	NEW

OPERATION	DRAW	DATE	SCALE	PART NO.
XX ±0.40	<i>William Diao</i>	2012.04.26	Ft	1220-22XXXXXX
XX ±0.25	CHECK	DATE	UNIT	TITLE:
XX ±0.15	APPROVE	DATE	mm	PH2.00 DUAL ROW
Angle ± 3'			SIZE	DOUBLE PLASTIC 180° H=2.0
DIM			SHEET	Customer NO.
TOL			1/1	
			PROJ.	



Http: [www.wcon.com](http://www.wcon.com)  
 WCON-Dongguan Tel: +86 769 85358920 Fax: +86 769 85358915 E-mail: [sales@wcon.com](mailto:sales@wcon.com)  
 WCON-Kunshan Tel: +86 512 57468408 Fax: +86 512 57468468 E-mail: [sales@wcon.com](mailto:sales@wcon.com)